

GM300 AIR FILTRATION UNIT INSTALLATION MANUAL



Table of Contents

1.0	Safety Advice.....	3
2.0	Overview.....	3
3.0	Installation.....	4
4.0	Bill of Materials	5
5.0	Dimensions.....	5
6.0	Internal Details	6

1.0 Safety Advice

- Keep out of reach of children
- Refer to Safety Data Sheet (Appendix A).
- Ensure adequate ventilation when removing filter from pack and installing.
- Do not puncture the container or otherwise interfere with the product as this will reduce the effectiveness and/or produce harmful vapours.
- First Aid Information: Poison Information Centre in each State capital city can provide additional assistance for:
 - Scheduled Poisons: Phone (Australia 13 1126)
 - Ingestion: Rinse mouth with water. Do NOT induce vomiting. Seek medical assistance.
 - Eyes & Skin: Be careful to avoid contact with contents, or fumes from the filter as they may cause irritation to eyes, skin or breathing passages. If contact occurs wash affected area with plenty of water.
 - Inhalation: Remove victim from exposure. Remove contaminated clothing and loosen remaining clothing. Allow patient to assume most comfortable position and keep warm. Keep at rest until fully recovered.
 - Seek medical advice if symptoms persist.

2.0 Overview

The (air filtration system) is designed to treat wastewater odour emissions entering the inlet compartment at the base of the unit. The foul air is treated by McBerns Proprietary Combined Media Cartridges, which is then emitted to atmosphere through the top compartment. The odour control unit is fabricated from uPVC material with the exterior coated in 'Pale Eucalypt'.

3.0 Installation

Note: Failure to comply with installation procedure will result in a void of warranty.

1. Confirm position and site layout with local authority ensuring a suitable and level base for the unit.
2. If required, core drill a 100-150mm diameter hole in the concrete slab connecting to the odour source. Alternatively, if the unit is to be located away from odour source, install uPVC pipe from odour source to filtration unit; ensure uPVC pipe finishes flush with base of filtration unit and fall on pipework back to odour source.
3. Generously cover bottom of the Housing Flange with a silicon sealant to ensure no leaks from the base of the unit.
4. Fix the filter housing over the hole using the M8 DynaBolts supplied with chemical anchor points.
5. Wipe the rubber seal with a damp cloth where the media cartridges will be seated, to remove any dust or grit which will prevent achieving a sufficient seal around the base of the media cartridges.
6. Apply a bead of the supplied sealant to the top of the internal rubber ring; not doing so will prevent a sufficient seal.
7. Remove the cartridge from the protective plastic bag.
8. Install cartridge on to the internal rubber ring. Cartridges are to be installed "THIS WAY UP ↑" as per instructions on cartridge. Slightly rotate cartridge to seat base to the rubber seal.
9. Place supplied cover on top of filter housing and fix in place using the M8 Dome Nuts supplied.

4.0 Bill of Materials

Item	Item No.	Description	Qty.
1	F300MC	Combined Media (Cartridges)	1
2	F300RUBBERSEAL	Rubber Seal	1
3	DYNAM840	M8 316 Stainless Steel DynaBolts	4
4	DOMENUTM8	M8 x 20mm Dome Nuts	4
5	SCREW1/4X3/4	1/4" x 3/4" Stainless Steel Bolt	4
6	WASHER3/16X3/4	3/16" x 3/4" 316 Stainless Steel Washers	4
7	MCB300GMNOOUTER	GM300 Housing Assembly	1
8	FDRAINPLUG	1/2" Drain Plug	1
9	N/A	GM Installation Manual	1

5.0 Dimensions

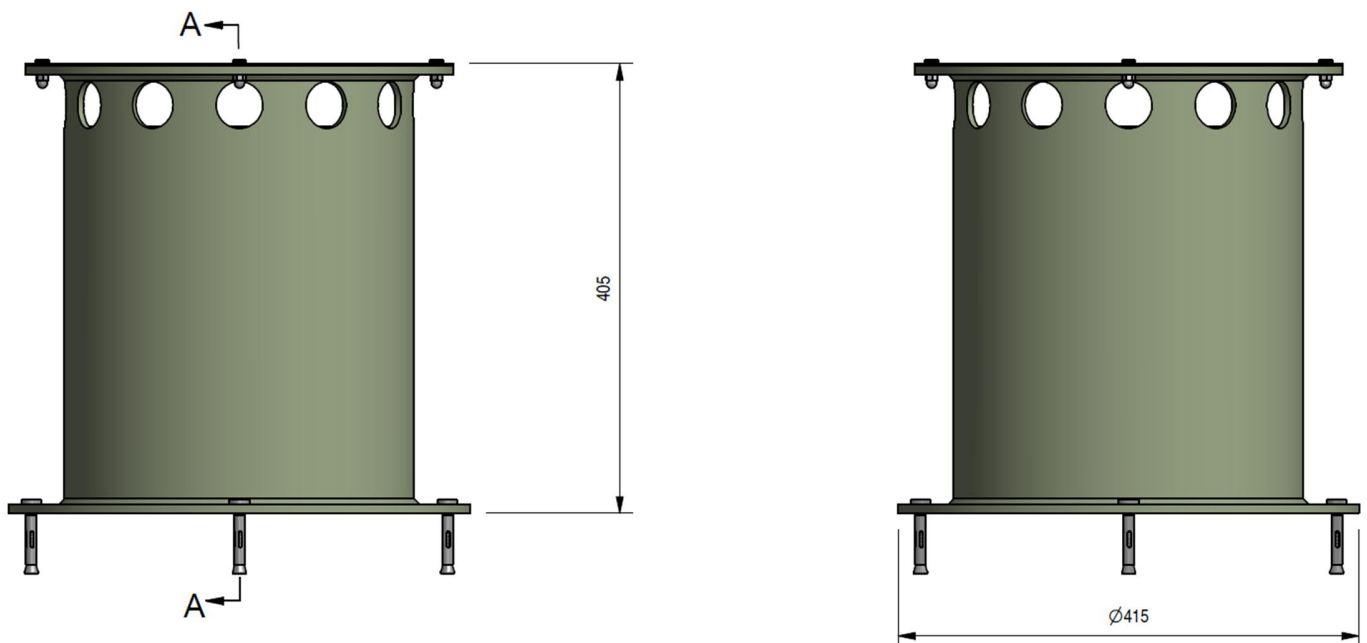


Figure 1: Dimensions

6.0 Internal Details

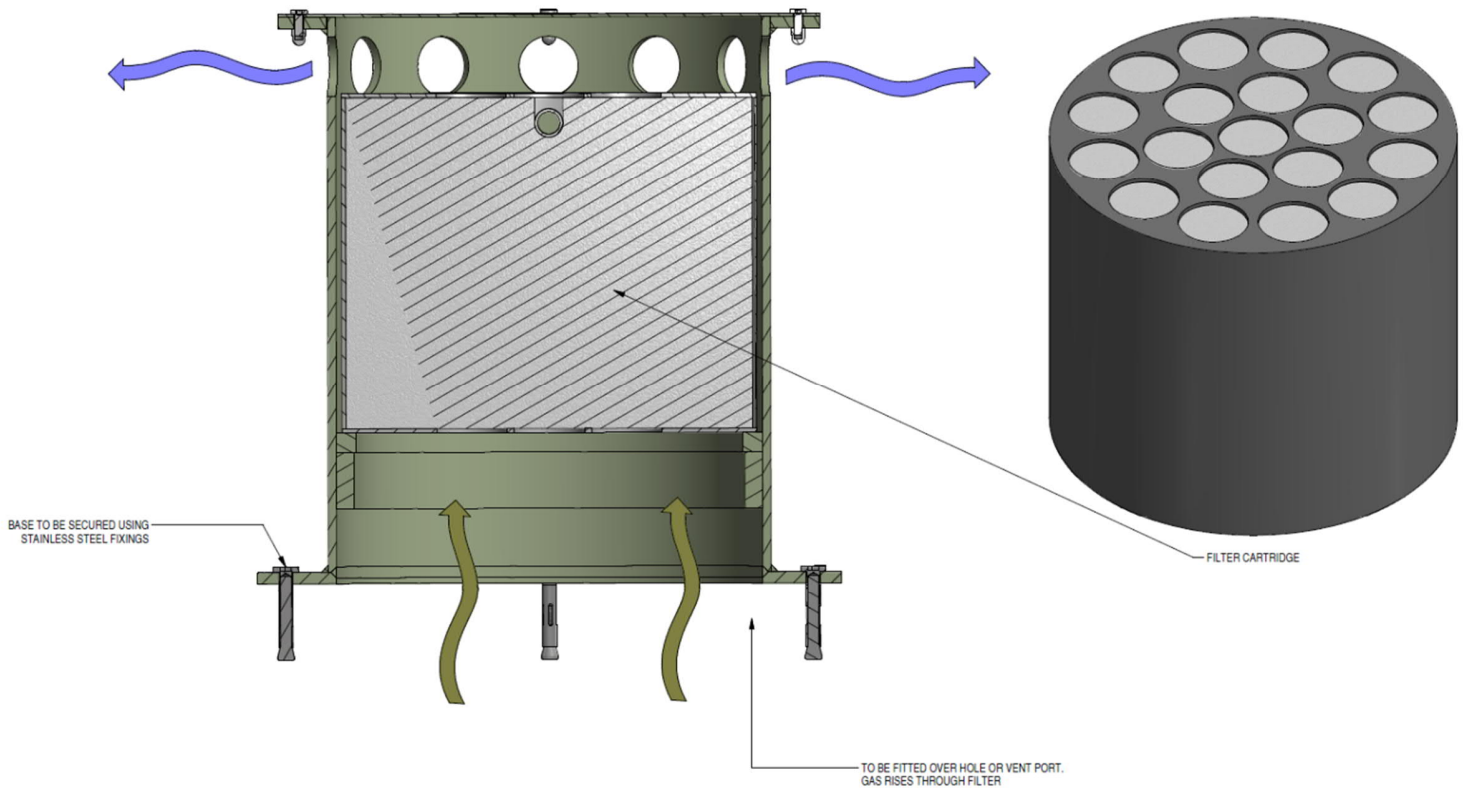


Figure 2: Internal Details